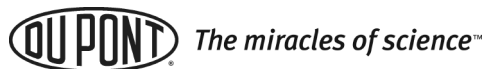




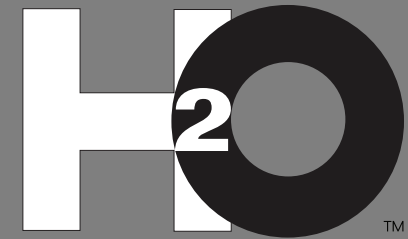
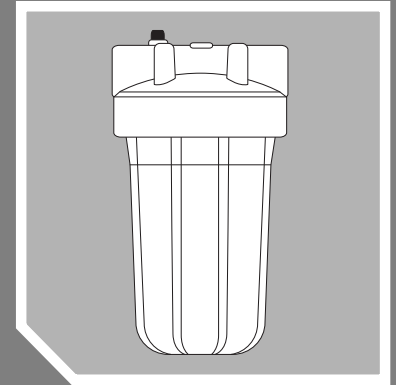
Installation Instructions

Universal Heavy Duty Whole House Filtration System

Instrucciones de instalación
Sistema universal de filtrado de servicio pesado para toda la casa



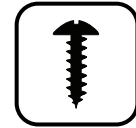
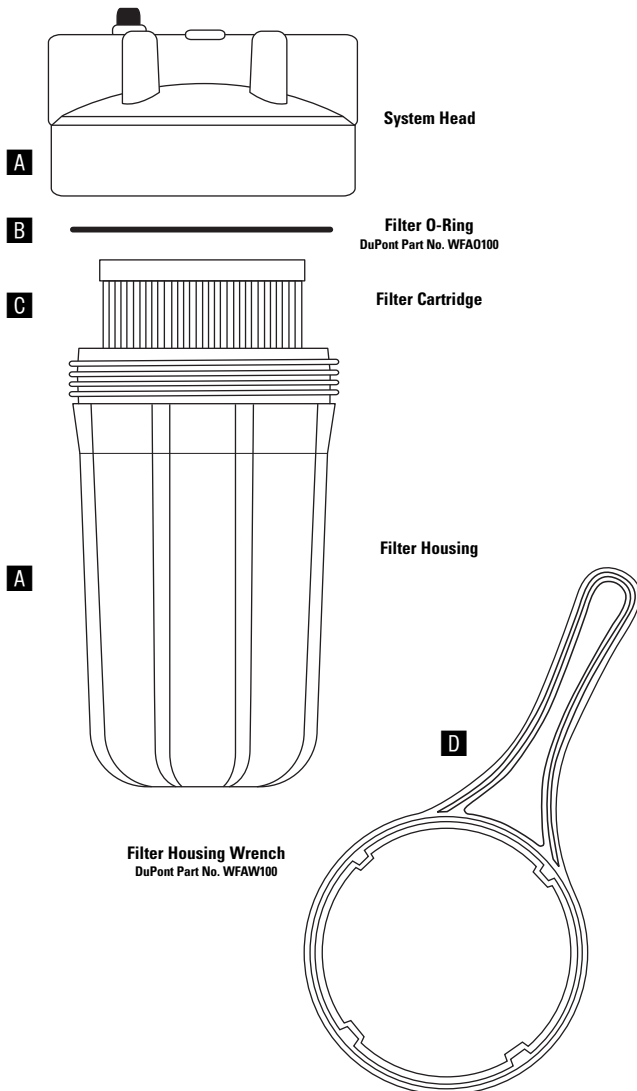
Water Filtration



Model Series WFHD13001
Serie del modelo WFHD13001

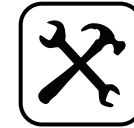


Package Contents



Parts & Hardware Included

- A** Filter System (System Head with Filter Housing)
- B** Filter O-Ring
- C** Filter Cartridge
- D** Filter Housing Wrench



Tools & Materials Required

- Compression Fittings/Valves
(See Step 2: Configure Your System)
- Two Adjustable Wrenches
- Pipe Wrench
- Pipe Cutter or Hacksaw
- File
- Pencil
- Plumber's Tape
- Silicone Grease
- Pan or Bucket

Optional Materials

- Mounting Bracket & Mounting Screws (not included)*
(DuPont Part No. WFAB100)
- Grounding Kit

*The DuPont™ WFAB100 Mounting Bracket is highly recommended for use with this Filter System. See Page 4.

Information & Assistance



www.waterfiltration.DuPont.com



866-709-2086 Toll Free
For Service Requests & Product Information
Hours of Operation: 24 Hours/Day, 7 Days/Week



800-441-7515
For Safety & Health Questions

Protect Plus, LLC ■ Hickory, NC 28601 USA

For installations in Massachusetts, the Commonwealth of Massachusetts Plumbing Code CMR248 shall be adhered to.

Proper Installation

Please read all instructions, specifications, and precautions before installing and using your water filter system.

NOTICE

This filter must be protected from freezing, which can cause cracking of the filter and water leakage.

NOTICE

Because of the product's limited service life and to prevent costly repairs or possible water damage, we strongly recommend that the housing be replaced every ten years. If the filter housing has been in use for longer than this period, it should be replaced immediately. Date the top of any new head to indicate the next recommended replacement date.

Precautions:

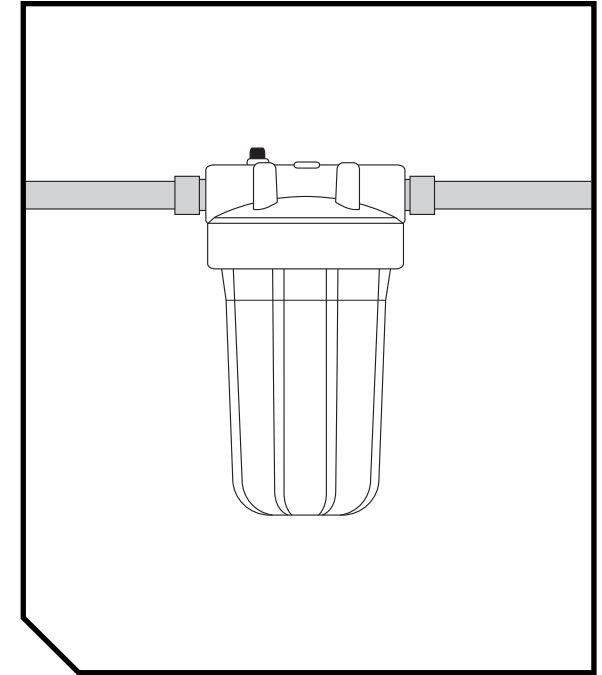
For cold water use only.

After prolonged periods of non-use (such as during a vacation), it is recommended that the system be flushed thoroughly. Let water run for 10 minutes before using.

The filter cartridges used with this Filter System have a limited service life. Changes in taste, odor, and/or flow of the water being filtered indicate that the cartridge should be replaced.

Do not install where system will be exposed to direct sunlight.

Your water filtration system will withstand up to 100 psi water pressure. If your house water supply pressure is higher than 100 psi, install a pressure reducing valve before the system is installed.



Before You Begin

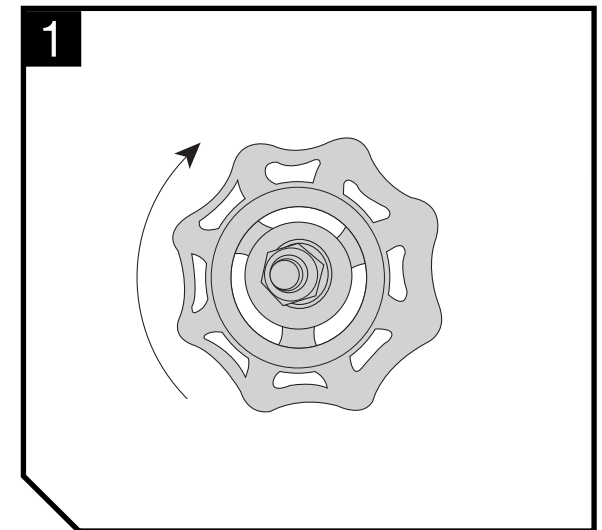
- Locate the main water supply line to your home and check to see what type of plumbing is in place (ex: plastic, copper, galvanized). The main water supply line is typically located in a basement, crawlspace or garage.
- Measure the diameter of the existing pipe to determine what size fittings and/or valves (not included) will be required.
- Choose a location in the main supply line to install the Filter System. Make sure to place the Filter System in an area after the water meter or pressure tank and before the water heater. Also select a location that will be easily accessible when changing filter cartridges.
- Consult your local plumbing codes and install accordingly.

STEP 1

Turn Off the Main Water Supply Line

NOTE: The Filter System must be installed after the water meter or pressure tank.

- 1 Turn off the main water supply line to your home.
- 2 Purge all water from the plumbing lines by turning on all faucets in your home and draining completely.



STEP 2

Configure Your System

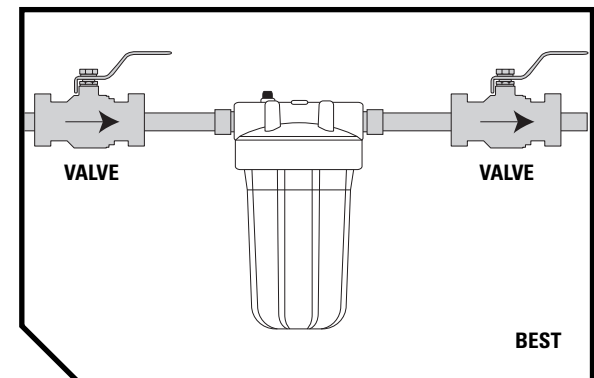
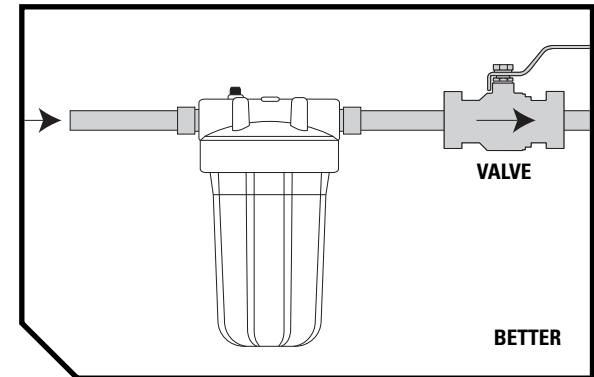
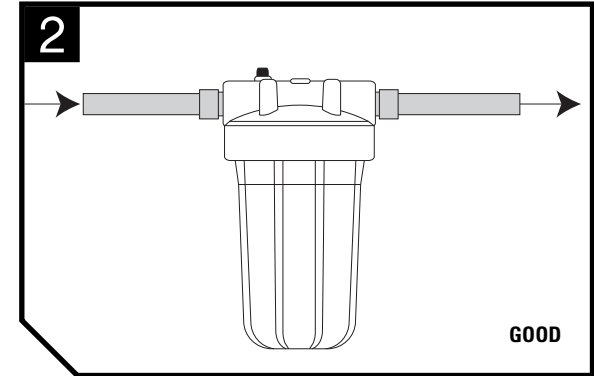
See the System Configuration Chart to determine how you will configure your filter system and to identify the additional parts and tools you will need for installation.

Materials Needed For 1" Diameter Housing Inlet/Outlet Ports

QUANTITY	3/4" COPPER PIPE	1" COPPER PIPE	3/4" PVC PIPE	1" PVC PIPE
2	1" M.I.P x 3/4" F.I.P. Reducer Bushing 3/4" O.D. Tube x 3/4" M.I.P. Compression Male Adapter or 3/4" MPT x 3/4" CTS QC Adapter (WATTS WaterPEX)	1" O.D. Tube x 1" M.I.P. Compression Male Adapter or 1" MPT x 1" CTS QC Adapter (WATTS WaterPEX)	1" NPT x 3/4" Tube Male Adapter PVC Slip Type	1" NPT x 1" Tube Male Adapter PVC Slip Type
TOOLS				
	Pipe Cutter or Hacksaw 2 Adjustable Wrenches Tape Measure	Pipe Cutter or Hacksaw 2 Adjustable Wrenches Tape Measure	Pipe Cutter or Hacksaw 2 Adjustable Wrenches Tape Measure	Pipe Cutter or Hacksaw 2 Adjustable Wrenches Tape Measure
SUPPLIES				
	Plumber's Tape	Plumber's Tape	Plumber's Tape PVC Cleaner PVC Adhesive	Plumber's Tape PVC Cleaner PVC Adhesive

NOTE: For galvanized piping consult a professional plumber.

During filter cartridge replacement it is necessary to shut off the water supply and purge the water lines. Adding shut-off valves will isolate the system from the supply line and household water. In this way, filter cartridge replacement is faster with less mess and hassle.



NOTE: Valves shown in diagrams are not included but can be purchased at a local hardware store.

STEP 3

Assemble the System and Install Optional Mounting Bracket

- 1 Dry assemble the complete system (according to the configuration chosen), including all fittings and valves.
- 2 When installing the optional mounting bracket (not included), position it on top of the System Head **A**, aligning the bracket holes with the holes in the System Head. Insert four mounting screws (not included) through the mounting bracket and into the holes of the System Head until tight.
- 3 Measure the overall length (see diagram) of the configured system.
- 4 Reduce this measurement enough to allow for the amount of engagement (**X**) to determine how much pipe to remove from the line.

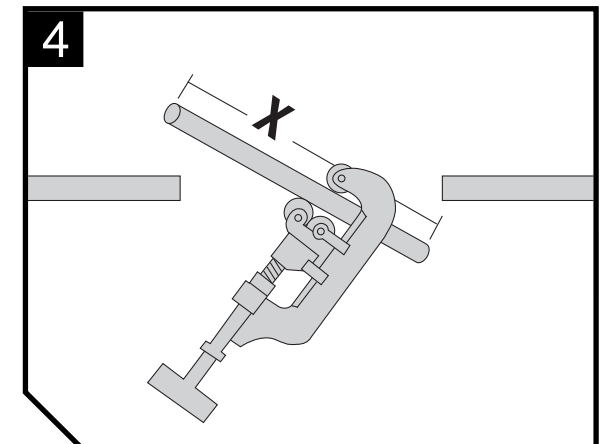
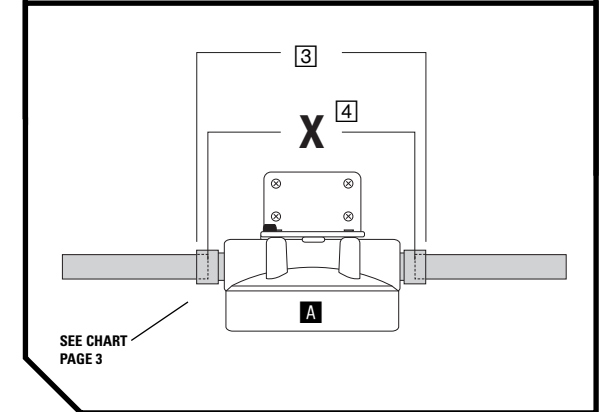
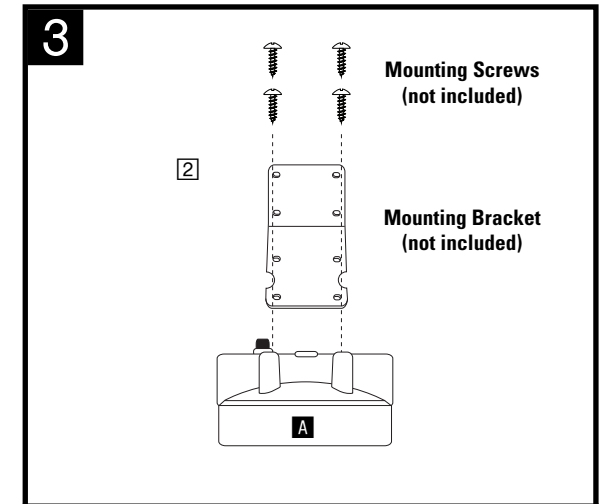
STEP 4

Mark Measurements and Cut the Plumbing Pipe

CAUTION

Please wear safety glasses to protect eyes when cutting.

- 1 Mark the section of the plumbing pipe that will need to be removed to allow for the configured system (as determined in Step 3).
NOTE: Measure twice, cut once!
- 2 Using a pipe cutter or hacksaw, cut the marked section from the plumbing pipe.
NOTE: Use a pan or bucket to catch any remaining water in the pipes.
- 3 Remove any burrs or debris from the cut edges with a file.



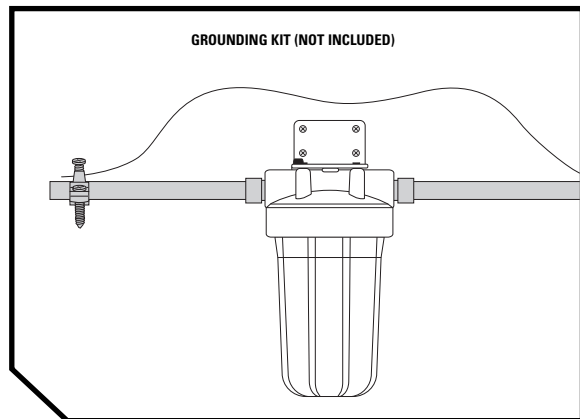
STEP 5

Hang the Filter System Head

- 1 Align the System Head **A** on the pipes so that the inlet and outlet are in the correct locations. The "in" port on the System Head should be facing the incoming water supply.
- 2 Allow the System Head to temporarily hang between the two cut plumbing pipes.
- 3 Apply plumber's tape or appropriate sealant to the fittings and lines, according to your system configuration.
- 4 Make all connections and tighten fittings.
NOTE: Keep the Filter System in an upright position.
- 5 Attach the optional mounting bracket (not included) to the wall using four mounting screws or alternative fasteners (not included).

CAUTION

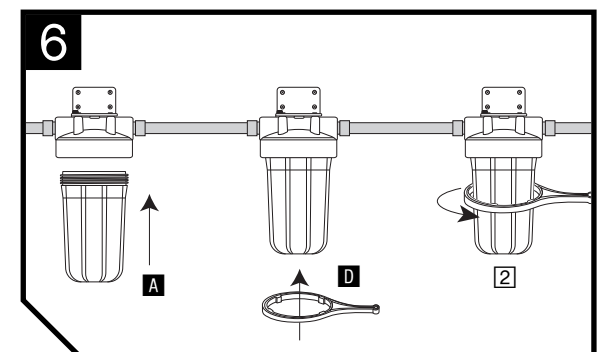
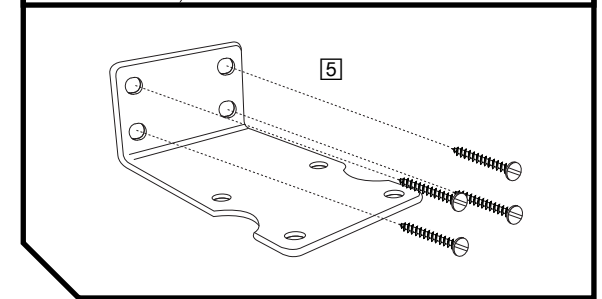
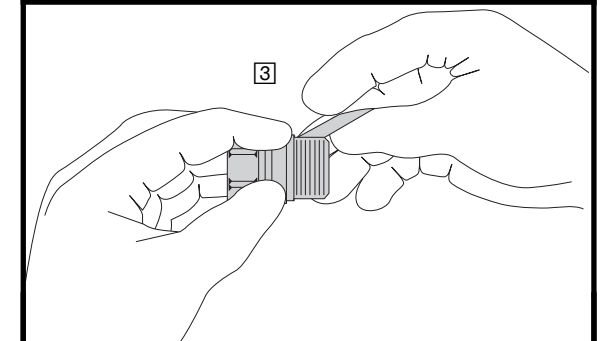
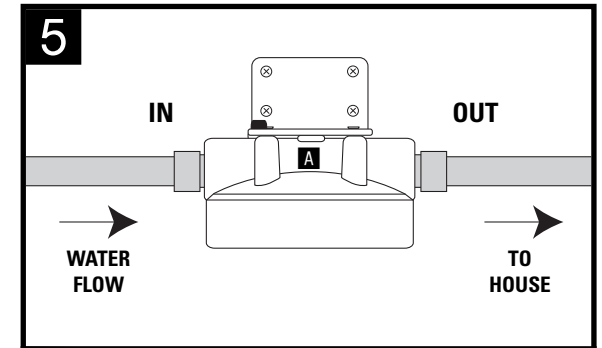
A grounding kit (not included) must be installed on water pipes if they are used to ground electrical systems, appliances or phones.



STEP 6

Hang the Filter Housing

- 1 Insert the Filter Cartridge **C** over standpipe in the bottom of the Filter Housing **A**.
- 2 Screw the Filter Housing back onto the System Head and hand-tighten. Using the Filter Housing Wrench **D**, tighten 1/4 turn.
NOTE: Do not over tighten.



STEP 7

Test the Filter System for Proper Operation

- ① Slowly turn on the water supply at the main shutoff valve.
- ② Press the red pressure-relief button on top of the Filter System **A** to release any trapped air.
- ③ Check for any leaks between the System Head and Filter Housing of the Filter System, and on the inlet and outlet connections. If there are leaks, see the troubleshooting tips below.
- ④ Flush the Filter System for 40 minutes by keeping the nearest faucet turned on.

If there are leaks between the System Head and Filter Housing of the Filter System:

- Turn off the main water supply to your home.
- Purge all water from the plumbing lines by turning on all faucets in your home and drain completely.
- Press the red pressure-relief button on top of the Filter System to release pressure.
- Unscrew and remove the System Head from the Filter System using the Filter Housing Wrench **D**.

NOTE: Use a pan or bucket to catch any water in the housing.

- Remove the black O-Ring **C** and inspect. Clean and lubricate with silicone grease.
- Clean the groove in the top of the Filter Housing where the O-Ring sits.
- Place the clean, lubricated O-Ring back in the groove.
- Screw the Filter Housing back onto the System Head and hand-tighten. Using the Filter Housing Wrench, tighten 1/4 turn.

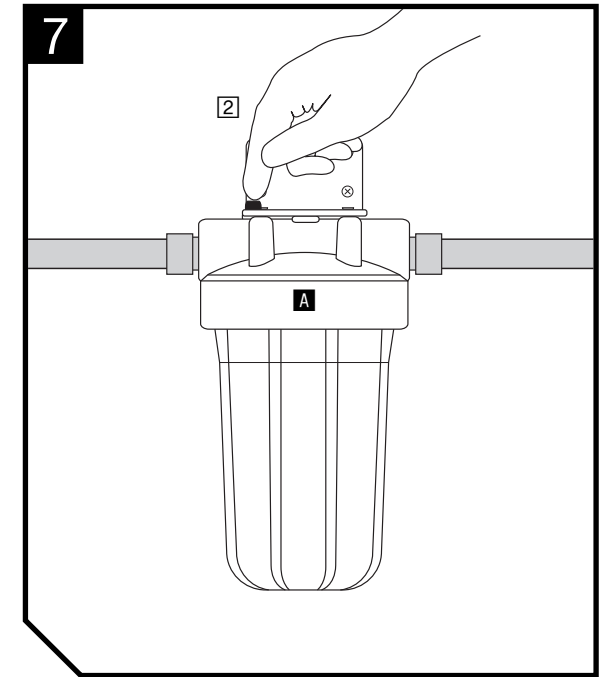
NOTE: Do not over tighten.

- Turn on the main water supply and inspect for leaks.

If there are leaks on the inlet and/or outlet connections:

- Turn off the main water supply to your home.
- Purge all water from the plumbing lines by turning on all faucets in your home and drain completely.
- Tighten all fittings.
- Turn on the main water supply and inspect for leaks.
- If leaks continue, disassemble the configured system, reapply plumber's tape or sealant, and reinstall the Filter System.

► If leaks continue, turn off the water supply and call Customer Service.



Filter Cartridge Replacement

STEP 1

- 1 Turn off the main water supply to your home.
NOTE: This will shut off all water flow in the home.
- 2 Purge all water from the plumbing lines by turning on all faucets in your home and draining completely.
- 3 Press the red pressure-relief button on top of the Filter System **A** to release pressure.
- 4 Use the Filter Housing Wrench **D** to unscrew the Filter Housing.
NOTE: Use a pan or bucket to catch any water in the Filter Housing.
- 5 Pour out the water in the Filter Housing and remove the used Filter Cartridge **C**.

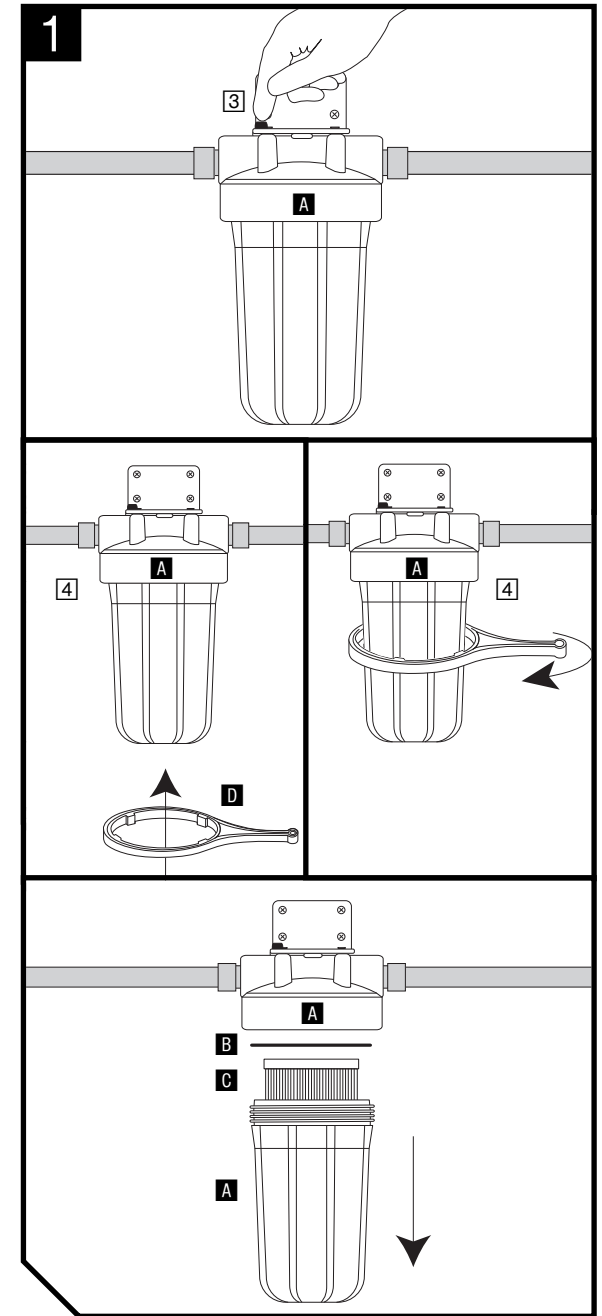
STEP 2

NOTE: Have a pan or bucket handy to rinse out the Filter Housing.

- 1 Rinse out the bottom of the Filter Housing.
- 2 Add enough water to fill the Filter Housing 1/3 full. Add approximately 2 tablespoons of bleach and clean the System Head and bottom of the Filter Housing with a clean cloth.
- 3 Rinse the Filter Housing thoroughly to remove bleach.
- 4 Remove the O-Ring **B** in the top of the Filter Housing and wipe clean.
- 5 Use silicone grease to lubricate the O-Ring.
- 6 Place the O-Ring back in the groove of the Filter Housing.
NOTE: Make sure that the O-Ring is seated properly in the groove to ensure a good seal.

STEP 3

- 1 Insert the new Filter Cartridge over the standpipe in the bottom of the Filter Housing.
- 2 Screw the Filter Housing back onto the System Head and hand-tighten. Using the Filter Housing Wrench, tighten 1/4 turn.
NOTE: Do not over tighten.
- 3 Slowly turn on the water supply at the main shutoff valve.
- 4 Press the red pressure-relief button on top of the Filter System to release any trapped air.
- 5 Check for any leaks before proceeding. (Refer to troubleshooting on Page 6.)
- 6 Turn on the nearest faucet and flush the Filter System for 40 minutes.



Replacement Cartridges

DuPont™ Universal Heavy Duty Whole House Filtration System WFHD13001 Series

Usage and quality of water in your incoming water line affect the life of filter cartridges and determine when the cartridge should be changed. Cartridges should be replaced sooner if water pressure at the faucet begins to drop noticeably or if the filter fails to perform satisfactorily.

System	Cartridge Model Numbers
Universal Heavy Duty Whole House Filtration System WFHD13001 Series	WFHDC3001, WFHDC8001

CAUTION

- These filters are not water purifiers. Do not use with water that is microbiologically unsafe or of unknown quality without adequate disinfection before or after the system. Systems certified for Cyst reduction may be used on disinfected waters that may contain filterable Cysts.
- This unit is not designed to filter sulfur (rotten egg odor). Use of carbon filters to treat sulfur may intensify taste/odor problems.
- Please comply with all state and local regulations regarding the installation of water treatment devices.
- The contaminants or other substances reduced by the water filter device are not necessarily in your water.

Operation/Maintenance Data

These units are intended for non-commercial use. They should be used only in ambient air temperature of between 35 degrees F / 2 degrees C and 100 degrees F / 38 degrees C. Placement of these units in direct sunlight or use of electrical heating equipment on these units must be avoided. Replace filter cartridge when and as directed in the installation/ operation instructions included with each cartridge. Replacement filter cartridges are available at retail outlets.

Replacement Parts

DuPont™ Universal Heavy Duty Whole House Filtration System WFHD13001 Series

Part Number	Description
WFAB100	Mounting Bracket
WFAO100	O-Ring
WFAW100	Filter Housing Wrench

Ordering Information:



www.waterfiltration.DuPont.com

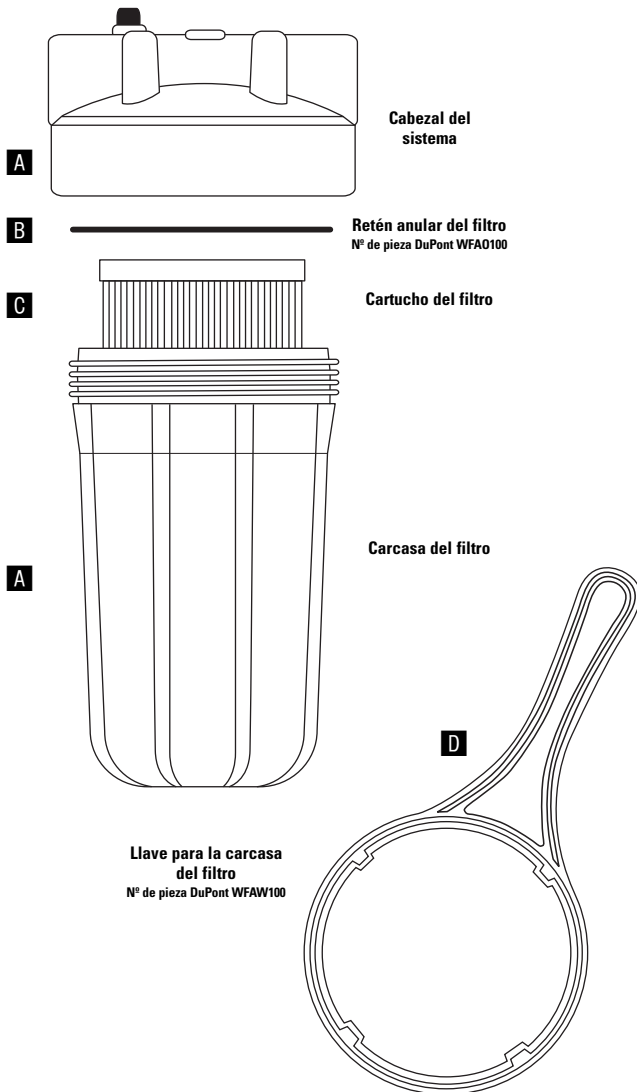
Protect Plus, LLC ■ Hickory, NC 28601 USA



866-709-2086 Toll Free
For Service Requests & Product Information
Hours of Operation: 24 Hours/Day, 7 Days/Week

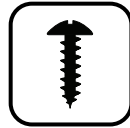


Contenido del embalaje



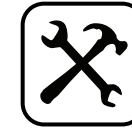
Instrucciones de instalación

Sistema universal de filtrado de servicio pesado para toda la casa



Piezas y elementos de montaje incluidos

- A** Sistema de filtrado
(cabezal del sistema con carcasa del filtro)
- B** Retén anular del filtro
- C** Cartucho del filtro
- D** Llave para la carcasa del filtro



Herramientas y materiales necesarios

- Válvulas/conexiones de compresión
(Vea el Paso 2: Configuración de su sistema)
- 2 llaves ajustables
- Llave de tubos
- Cortador de tubos o sierra cortametales
- Lima
- Lápiz
- Cinta para cañerías
- Grasa siliconada
- Bandeja o cubo

Materiales opcionales

- Soporte y tornillos de montaje (no incluidos)*
(Nº de pieza DuPont WFAB100)
- Conexión de puesta a tierra

*Se recomienda especialmente usar con este sistema de filtrado el soporte de montaje DuPont™ WFAB100. Consulte la página 4.

Información y asistencia



www.waterfiltration.DuPont.com



866-709-2086 Gratis

Para solicitudes de servicio e información de productos
Horarios de atención: Las 24 horas, los 7 días de la semana



800-441-7515

Para preguntas sobre salud y seguridad

Protect Plus, LLC ■ Hickory, NC 28601 USA

Para instalación en Massachusetts, se debe cumplir el Código de Plomería de la Mancomunidad de Massachusetts CMR248.

Instalación correcta

Antes de instalar y usar su sistema de filtrado de agua, lea todas las instrucciones, especificaciones y precauciones.

AVISO

Este filtro debe estar protegido contra el congelamiento, que puede causar rajaduras y pérdidas de agua.

AVISO

Puesto que el producto tiene una vida útil limitada y a fin de evitar reparaciones costosas o posibles daños al agua, recomendamos especialmente reemplazar la carcasa cada diez años. Si la carcasa del filtro ha estado en uso un tiempo mayor que este período, debe reemplazarse inmediatamente. Ponga la fecha en la parte superior del cabezal nuevo para indicar la próxima fecha de reemplazo recomendada.

Precauciones:

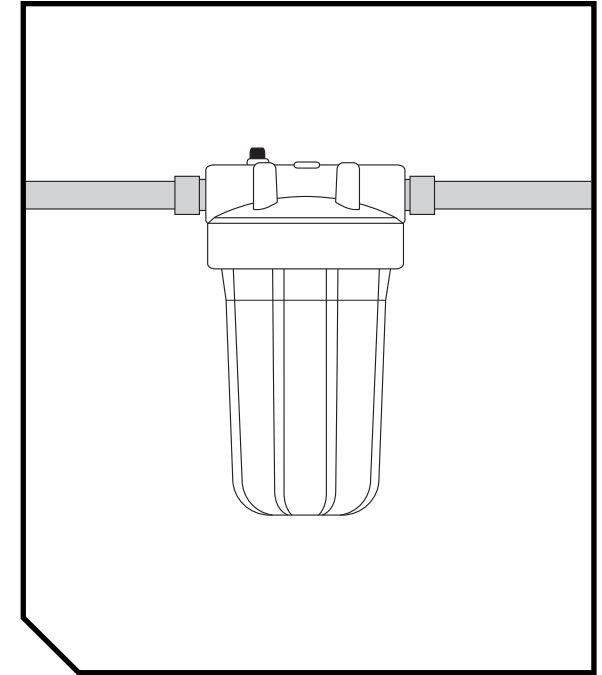
Para usar con agua fría únicamente.

Después de períodos prolongados sin uso (como durante las vacaciones), es recomendable lavar a fondo el sistema. Deje correr el agua durante 10 minutos antes de usarlo.

Los cartuchos de filtro usados con este sistema de filtrado tienen una vida útil limitada. Los cambios en el sabor, olor y/o caudal del agua filtrada indican que debe reemplazarse el cartucho.

No instale el sistema en lugares donde esté expuesto a la luz solar directa.

Su sistema de filtrado de agua soporta hasta 100 psi de presión de agua. Si la presión del suministro de agua entrante a su casa es superior a 100 psi, instale una válvula reductora de presión antes de instalar el sistema.



Antes de comenzar

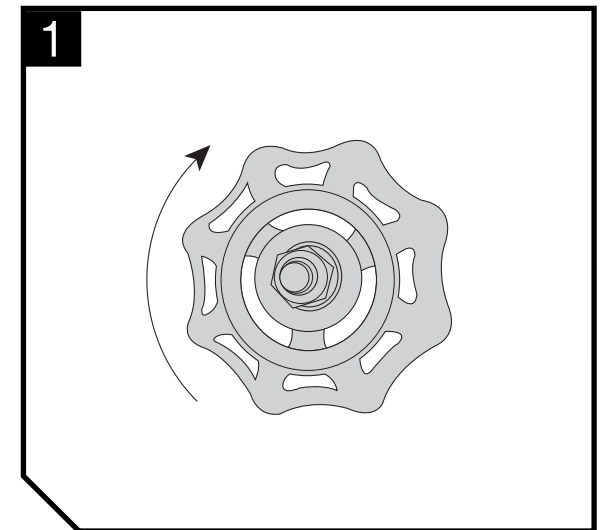
- Localice la tubería de suministro de agua entrante a su casa y verifique qué tipo de cañerías están colocadas (por ej.: plástica, metálica o de cobre). La tubería de suministro de agua se encuentra habitualmente en el sótano, en el espacio vacío debajo del piso o en el garaje.
- Mida el diámetro del caño existente para determinar el tamaño de las conexiones y/o válvulas (no incluidas) que se necesitarán.
- Elija un lugar en la tubería de suministro donde instalar el sistema de filtrado. Asegúrese de colocar el sistema de filtrado en un área después del medidor de agua o tanque de presión y antes del calentador de agua. Seleccione también un lugar de fácil acceso para cambiar los cartuchos del filtro.
- Consulte los códigos de plomería locales y realice la instalación de acuerdo a los mismos.

PASO 1

Corte del suministro de agua

NOTA: El sistema de filtrado debe instalarse después del medidor de agua o tanque de presión.

- 1 Corte el suministro de agua entrante a su casa.
- 2 Purgue toda el agua existente en las cañerías abriendo todos los grifos de su casa y desagotándolas completamente.



PASO 2

Configuración de su sistema

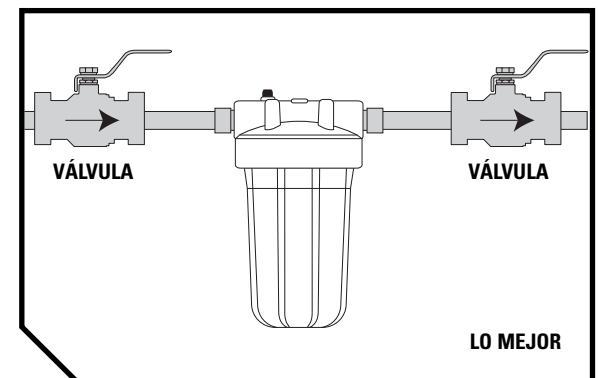
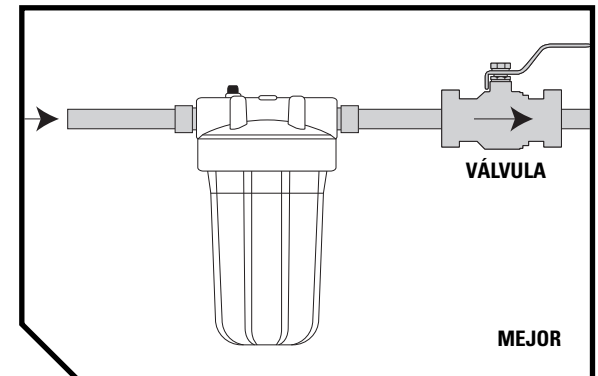
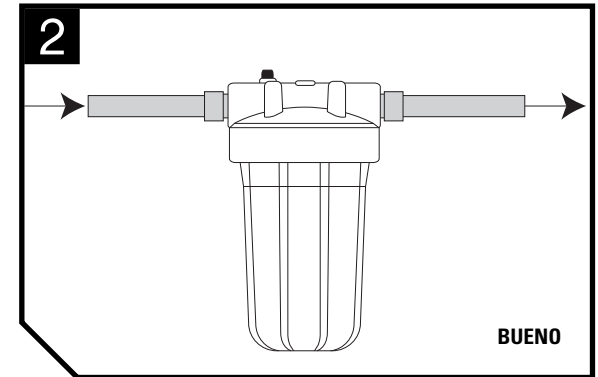
Vea la tabla de configuración del sistema para determinar cómo configurará su sistema de filtrado y para identificar las piezas y herramientas adicionales que necesitará para la instalación.

Materiales necesarios para orificios de entrada y salida de la carcasa de 3/4"

CANTIDAD	CAÑO DE COBRE DE 3/4"	CAÑO DE COBRE DE 1"	CAÑO DE PVC DE 3/4"	CAÑO DE PVC DE 1"
2	Buje reductor MIP de 1" x 3/4" F.I.P Adaptador macho de compresión de tubo de 3/4" D.E. x 3/4" M.I.P o Adaptador QC de 3/4" MPT x 3/4" CTS (WATTS WaterPEX)	Adaptador macho de compresión de tubo de 1" D.E. x 1" M.I.P o Adaptador QC de 1" MPT x 1" CTS (WATTS WaterPEX)	Tubo de 1" NPT x 3/4" Adaptador macho PVC tipo deslizante	Tubo de 1" NPT x 1" Adaptador macho PVC tipo deslizante
HERRAMIENTAS				
	Cortador de tubos o sierra cortametales 2 llaves ajustables Cinta métrica	Cortador de tubos o sierra cortametales 2 llaves ajustables Cinta métrica	Cortador de tubos o sierra cortametales 2 llaves ajustables Cinta métrica	Cortador de tubos o sierra cortametales 2 llaves ajustables Cinta métrica
INSUMOS				
	Cinta para cañerías	Cinta para cañerías	Cinta para cañerías Limpiador de PVC Adhesivo para PVC	Cinta para cañerías Limpiador de PVC Adhesivo para PVC

NOTA: En relación con las cañerías galvanizadas, consulte a un plomero profesional.

Durante el reemplazo del cartucho del filtro, es necesario cortar el suministro de agua y purgar las tuberías. Si se agregan válvulas de paso, el sistema se aísla de la tubería de suministro y el agua domiciliar. De esta manera, el reemplazo del cartucho del filtro es más rápido con menos trabajo y molestias.



NOTA: Las válvulas mostradas en los diagramas no están incluidas pero se pueden comprar en una tienda de sanitarios local.

PASO 3

Armado del sistema e instalación del soporte de montaje opcional

- 1 Arme en seco el sistema completo (de acuerdo a la configuración elegida), incluidos todos los accesorios de conexión y válvulas.
- 2 Cuando instale el soporte de montaje opcional (no incluido), posicione-lo en la parte superior del cabezal del sistema **A**, alineando los orificios del soporte de montaje con los orificios del cabezal. Inserte cuatro tornillos de montaje de 3/4" (no incluidos) a través del soporte de montaje en los orificios del cabezal del sistema hasta que queden apretados.
- 3 Mida la longitud exterior total (vea el diagrama) del sistema configurado.
- 4 Reduzca esta medida lo suficiente para tener en cuenta la longitud de acoplamiento (X) a fin de determinar cuánto caño hay que sacar de la tubería.

PASO 4

Marcado de las medidas y corte de la cañería

PRECAUCIÓN

Use gafas de seguridad para protegerse los ojos mientras corta.

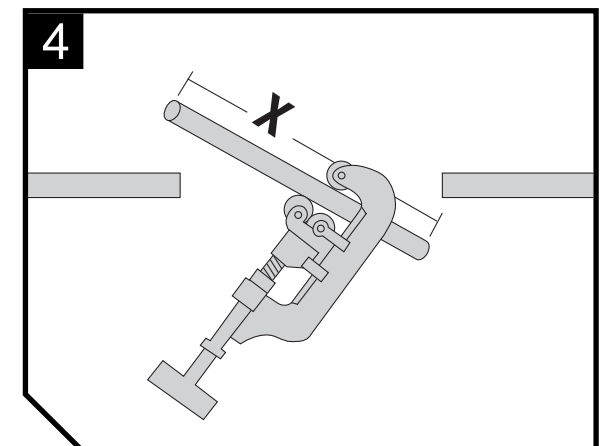
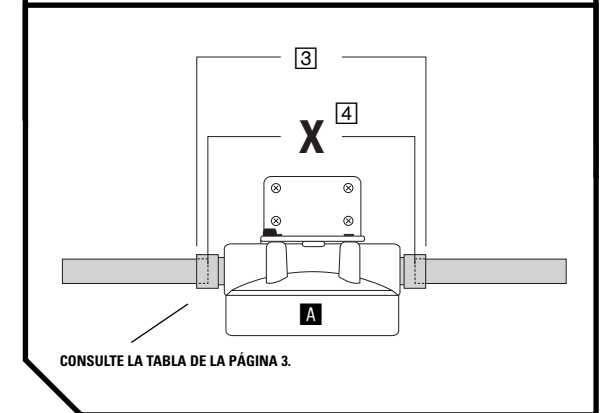
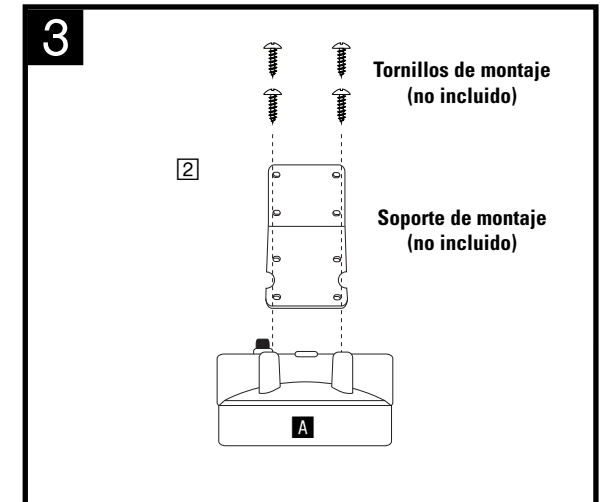
- 1 Marque la sección de la cañería de suministro que debe remover a fin de permitir la instalación del sistema configurado (determinada en el Paso 3).

NOTA: ¡Mida dos veces, corte una vez sola!

- 2 Corte con un cortador de tubos o sierra para metales la sección marcada en la cañería.

NOTA: Use una bandeja o un cubo para recoger el agua que caiga de los caños.

- 3 Elimine las rebabas o residuos de los bordes cortados con una lima.



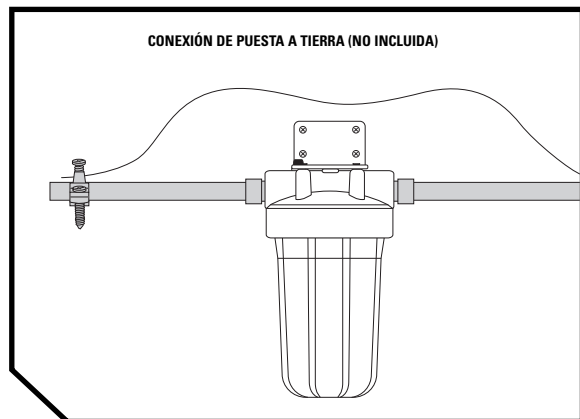
PASO 5

Colgado del cabezal del sistema de filtrado

- 1 Alinee el cabezal del sistema **A** con los caños, de modo que la entrada y la salida estén en las posiciones correctas. El orificio marcado "in" del cabezal del sistema debe mirar al suministro entrante de agua.
- 2 Deje el cabezal del sistema colgando temporalmente entre los dos caños de suministro cortados.
- 3 Aplique cinta para cañerías o un sellador apropiado a los accesorios de conexión y las tuberías, de acuerdo a la configuración de su sistema.
- 4 Haga todas las conexiones y apriete los accesorios de conexión.
NOTA: Mantenga el sistema de filtrado en posición vertical.
- 5 Fije el soporte de montaje opcional (no incluido) a la pared mediante los cuatro tornillos de montaje o elementos alternativos (no incluidos).

! PRECAUCIÓN

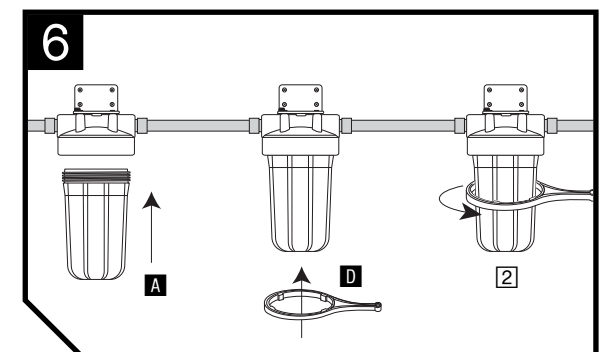
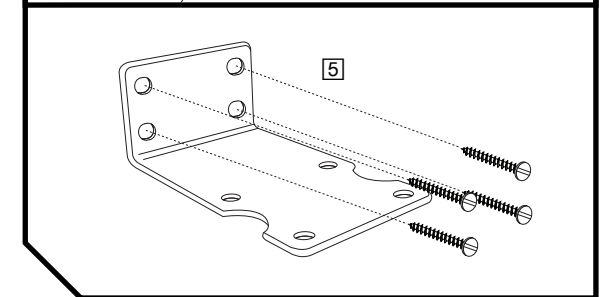
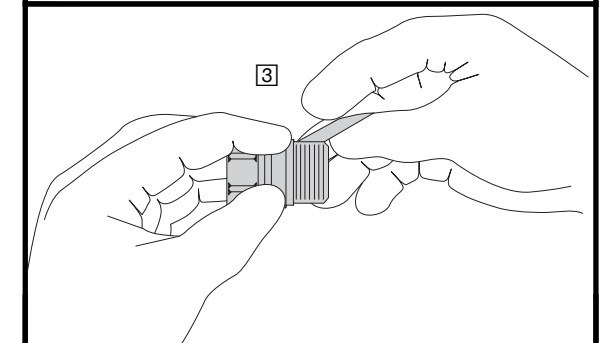
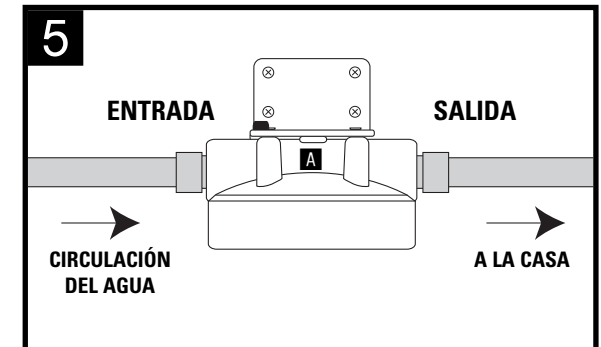
Debe instalarse en las cañerías de agua una conexión de puesta a tierra (no incluida) si las mismas se usan para poner a tierra sistemas eléctricos, electrodomésticos o teléfonos.



PASO 6

Colgado de la carcasa del filtro

- 1 Inserte el cartucho del filtro **C** sobre el tubo vertical de la parte inferior de la carcasa del filtro **A**.
- 2 Enrosque nuevamente la carcasa del filtro en el cabezal del sistema y apriétela con la mano. Usando la llave para la carcasa **D**, apriétela 1/4 de vuelta.
NOTA: No la sobreapriete.



PASO 7

Prueba del funcionamiento correcto del sistema de filtrado

- 1 Abra lentamente la válvula de suministro de agua en la llave de paso.
- 2 Pulse el botón rojo de alivio de presión de la parte superior del sistema de filtrado **A** para descargar el aire que podría haber atrapado.
- 3 Verifique que no haya pérdidas entre el cabezal del sistema y la carcasa del filtro del sistema de filtrado, así como en las conexiones de entrada y salida. Si hay pérdidas, consulte los consejos para la solución de problemas más abajo.
- 4 Lave el sistema de filtrado durante 40 minutos manteniendo abierto el grifo más cercano.

Si hay pérdidas entre el cabezal del sistema y la carcasa del filtro del sistema de filtrado:

- Corte el suministro de agua entrante a su casa.
- Purgue toda el agua existente en las cañerías abriendo todos los grifos de su casa y desagotándolos completamente.
- Pulse el botón rojo de alivio de presión de la parte superior del sistema de filtrado **A** para descargar la presión.
- Desenrosque y retire del sistema de filtrado el cabezal del sistema usando la llave para la carcasa **D**.

NOTA: Use una bandeja o un cubo para recoger el agua que caiga de la carcasa.

- Retire el retén anular negro del filtro **C** e inspecciónelo. Límpielo y lubríquelo con grasa siliconada.
- Limpie las acanaladuras de la parte superior de la carcasa del filtro donde se asienta el retén anular.
- Coloque nuevamente el retén anular limpio y lubricado en la acanaladura.
- Enrosque nuevamente la carcasa del filtro en el cabezal del sistema y apriétela con la mano. Usando la llave para la carcasa, apriétela 1/4 de vuelta.

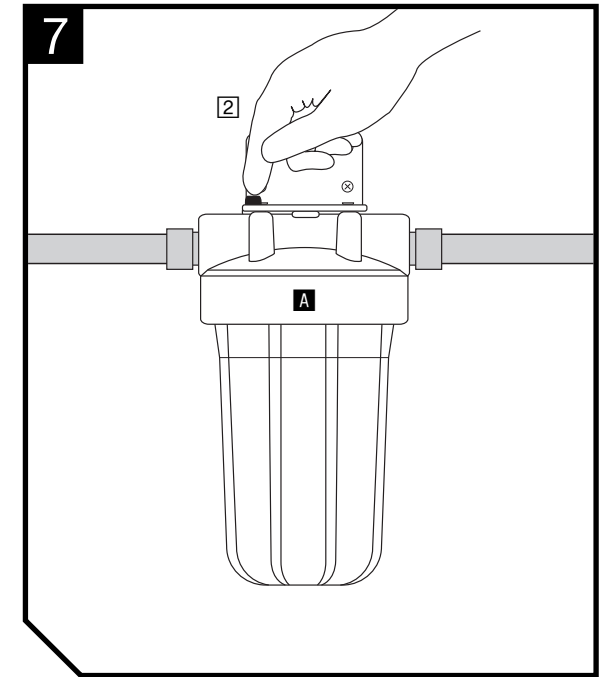
NOTA: No la sobreapriete.

- Abra el suministro de agua y fíjese si hay pérdidas.

Si hay pérdidas en las conexiones de entrada y/o salida:

- Corte el suministro de agua entrante a su casa.
- Purgue toda el agua existente en las cañerías abriendo todos los grifos de su casa y desagotándolos completamente.
- Apriete todos los accesorios de conexión.
- Abra el suministro de agua y fíjese si hay pérdidas.
- Si las pérdidas persisten, desarme el sistema configurado, vuelva a aplicar cinta o sellador para cañerías y reinstale el sistema de filtrado.

► Si las pérdidas persisten, corte el suministro de agua y llame al Servicio al Cliente.



Reemplazo del cartucho del filtro

PASO 1

- 1 Corte el suministro de agua entrante a su casa.
NOTA: De esta forma se corta todo el suministro de agua a la casa.
- 2 Purgue toda el agua existente en las cañerías abriendo todos los grifos de su casa y desagotándolos completamente.
- 3 Pulse el botón rojo de alivio de presión de la parte superior del sistema de filtrado **A** para descargar la presión.
- 4 Use la llave para la carcasa del filtro **D** a fin de desenroscar la carcasa del filtro.
NOTA: Use una bandeja o un cubo para recoger el agua que caiga de la carcasa.
- 5 Vierta el agua existente en la carcasa del filtro y retire el cartucho del filtro usado **C**.

PASO 2

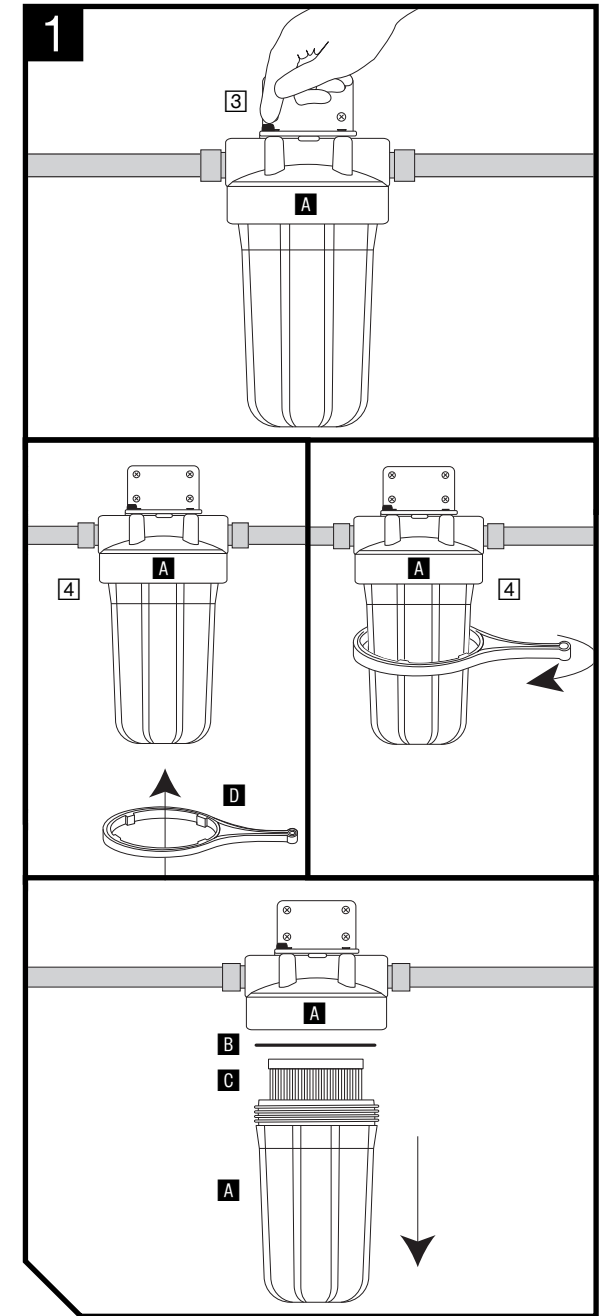
NOTA: Tenga una bandeja o un cubo a mano para enjuagar el agua de la carcasa del filtro.

- 1 Enjuague la parte inferior de la carcasa del filtro.
- 2 Agregue suficiente agua como para llenar 1/3 de la carcasa. Agregue aproximadamente 2 cucharas soperas de blanqueador y limpie el cabezal del sistema y la parte inferior de la carcasa del filtro con un paño limpio.
- 3 Enjuague a fondo la carcasa del filtro con agua limpia para eliminar el blanqueador.
- 4 Retire el retén anular **B** de la parte superior de la carcasa del filtro y límpielo.
- 5 Use grasa siliconada para lubricar el retén anular.
- 6 Coloque nuevamente el retén anular en la acanaladura de la carcasa del filtro.

NOTA: Asegúrese de que el retén anular se asiente correctamente en la acanaladura a fin de asegurar un buen sellado.

PASO 3

- 1 Inserte el nuevo cartucho del filtro sobre el tubo vertical de la parte inferior de la carcasa del filtro.
- 2 Enrosque nuevamente la carcasa del filtro en el cabezal del sistema y apriétela con la mano. Usando la llave para la carcasa, apriétela 1/4 de vuelta.
NOTA: No la sobreapriete.
- 3 Abra lentamente la válvula de suministro de agua en la llave de paso.
- 4 Pulse el botón rojo de alivio de presión de la parte superior del sistema de filtrado para descargar el aire que podría haber atrapado.
- 5 Fijese si hay alguna pérdida antes de continuar. (Consulte la solución de problemas en la página 6).
- 6 Abra el grifo más cercano y lave el sistema de filtrado durante 40 minutos.



Cartuchos de repuesto

Sistema universal de filtrado de servicio pesado para toda la casa DuPont™ Serie WFHD13001

El consumo y la calidad del agua de su línea de suministro entrante afectan a la vida útil de los cartuchos de filtro y determinan cuándo deben reemplazarse. Los cartuchos deben reemplazarse anticipadamente si la presión de agua en el grifo comienza a decaer perceptiblemente o si el filtro no funciona satisfactoriamente.

Sistema	Números de modelo del cartucho
Sistema universal de filtrado de servicio pesado para toda la casa Serie WFHD13001	WFHDC3001, WFHDC8001

PRECAUCIÓN

- Estos filtros no son purificadores de agua. No los use con agua microbiológicamente insegura o de calidad desconocida sin una desinfección adecuada antes o después del sistema. Pueden usarse sistemas certificados para reducción de cistes para aguas desinfectadas que puedan contener cistes filtrables.
- Esta unidad no está diseñada para filtrar azufre (olor a huevos podridos). El uso de filtros de carbón para tratar el azufre puede intensificar los problemas de sabor y olor.
- Cumpla todas las regulaciones estatales y locales relativas a la instalación de dispositivos de tratamiento de agua.
- Los contaminantes u otras sustancias reducidas por este filtro no están necesariamente presentes en el agua que usted usa.

Datos de operación y mantenimiento

Estas unidades están diseñadas para uso no comercial. Deben usarse únicamente con temperaturas de aire ambiental entre 35 grados F (2 grados C) y 100 grados F (38 grados C). Debe evitarse colocar estas unidades bajo la luz solar directa o usar equipos calefactores eléctricos en las mismas. Reemplace el cartucho del filtro cuando y como se explica en las instrucciones de instalación y operación incluidas con el cartucho. Los cartuchos de filtro de repuesto están disponibles en las tiendas minoristas.

Piezas de repuesto

Sistema universal de filtrado de servicio pesado para toda la casa DuPont™ Serie WFHD13001

Número de pieza	Descripción
WFAB100	Soporte de montaje
WFAO100	Retén anular
WFAW100	Llave para la carcasa del filtro

Información para pedidos:



www.waterfiltration.DuPont.com

Protect Plus, LLC ■ Hickory, NC 28601 USA



866-709-2086 Gratis

Para solicitudes de servicio e información de productos
Horarios de atención: Las 24 horas, los 7 días de la semana



Elecciones más inteligentes para un mundo más limpio

La creación de mejores productos para usted y su familia es lo que puede esperarse de DuPont. El producto que contiene este paquete se creó cumpliendo exigentes normas de calidad y eficacia.



Mejora del sabor y calidad probadas y certificadas en forma independiente

©2009 Protect Plus, LLC. La marca H2O es una marca de Protect Plus. El logotipo DuPont Oval Logo®, DuPont™, The miracles of science™ son marcas de fábrica o marcas registradas de E. I. du Pont de Nemours and Company o sus afiliadas. Todos los derechos reservados.



Smarter Choices for a Cleaner World

Creating better products for you and your family is what you can expect from DuPont.
The product inside this package was created adhering to high standards in quality and efficacy.



Independently Tested and Certified to Improve Taste and Water Quality

© 2009 Protect Plus, LLC. H2O Trademark is a trademark of Protect Plus.
The DuPont Oval Logo®, DuPont™, The miracles of science™ are trademarks or registered trademarks of E. I. du Pont de Nemours and Company or its affiliates. All rights reserved.